

EDDA[®]

PACKING MACHINES

CE

EN

EDDA®

PACKING MACHINES

WHO WE ARE

Edda Makine Ambalaj San. Tic. Ltd. ti. is the leading manufacturer of horizontal wrapping machines in Republic of Turkey. We create the high-quality solution by our products and services and we serve to many kind of industries .

Today, Edda Machines serve in the international industrial companies from USA to Australia, from South Africa to Norway and showing that Edda is a world wide company and compete with innovative technologies around the world.

Our company produces annually 300 packaging machines in factory wich locates in Bursa city. In addition, we are also providing the excelent convenience to our customers with producing and supplying the packaging consumable materials.



EDDA®

PACKING MACHINES



WHY EDDA...!

Edda Spinner Series of Horizontal Stretch Wrapping Machine with 6 models are well known as the best solution of packaging needs.

All models are renewed and equipped with the latest technology. By the durable mechanical structure and the required systems for operator safety, this machines compliance with European Union safety directives and certified with CE Certificate. All standard parts used in machine components which is the best in the field of Siemens, Schneider and LG Industrial such as worldwide trademarks.

This machines are developed for a long and trouble-free service work and don't contain any equipment of Far East origin.

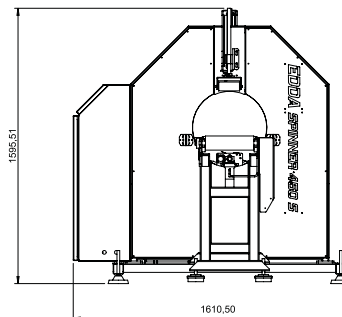
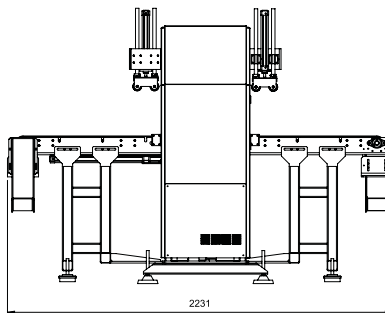
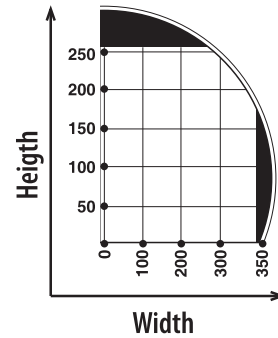
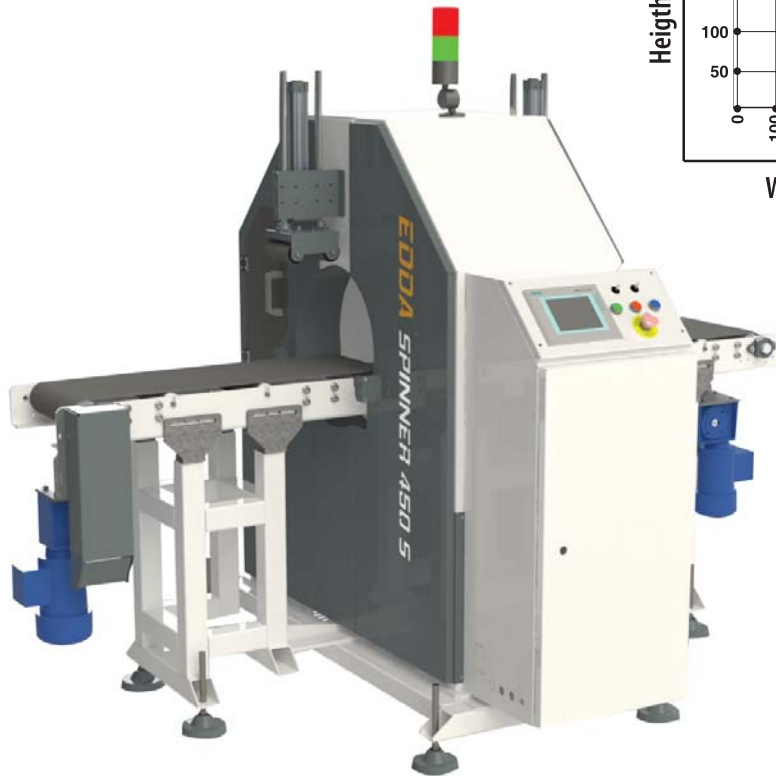
The packing machines of Edda Spinner Series are intended for easy packing of the products by the PE air bubble nylon, PE foam film and stretch film materials.

Thanks to these machines, you get a cost-effective solution and very quick packaging for the following products:

- * Modular Furniture
- * Wooden doors, PVC doors and steel doors
- * Fire doors
- * Membrane, acrylic and lacquer covers
- * Kitchen and bathroom cabinets and doors
- * Base and bedroom furniture
- * Laminate flooring

EDDA®

PACKING MACHINES



SPINNER 450 s

Perfect for the wrapping;

- * Door frames and mouldings
- * Laminate flooring
- * Aluminum, steel and wood profiles and pipes
- * PVC profile products etc.

TECHNICAL FEATURES;

Product to Wrap Sizes

Max. Length	Unlimited
Min. Length (Width x Height x Length)	100 x 18 x 550*
*With Short Part Nail	

Conveyor Belt's Features ;

Useful Length	924 mm
Total Length	1000 mm
Working Height	850 mm
Electric Motor Power	0,37kW
Max. Speed	14m/sec.
Max. Load Capacity	100 kgs/meter

Stretchfilm Features;

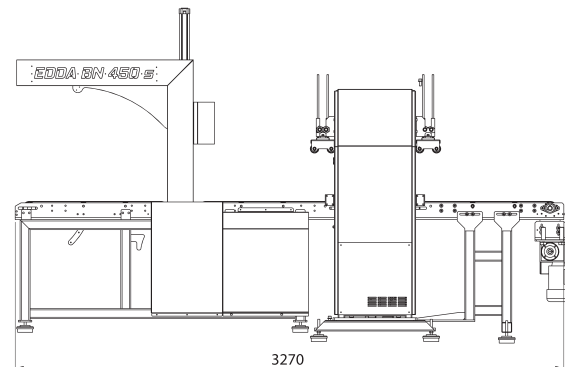
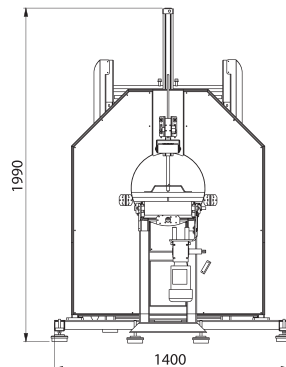
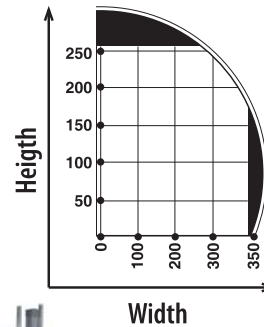
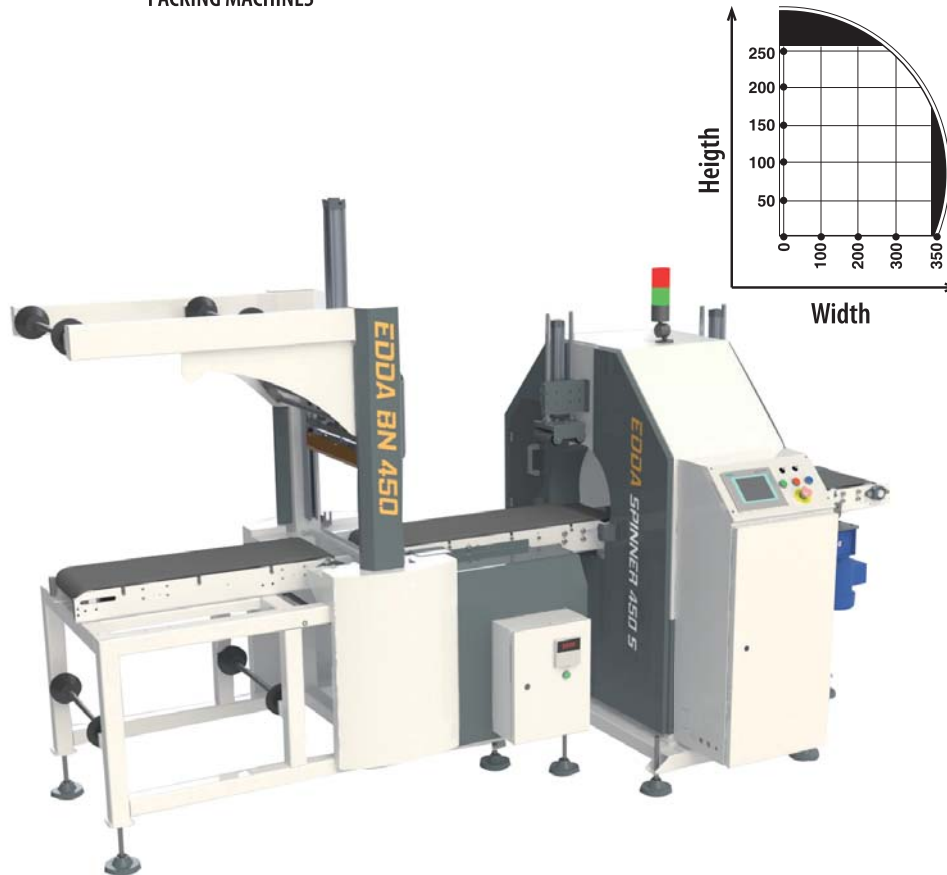
Max. Width	200 mm
Max. Diameter	250 mm
Reel Core Diameter	76 mm
Recommended Thickness	23, 30, 35 micron

Machine General Features;

Main Motor Power	1,1 kW
Max. Ring Rotation Speed	120 rpm
Min. Ring Rotation Speed	10 rpm
Electronic Control Components	Siemens, Schneider, LS
Total Weight	330 Kg

EDDA®

PACKING MACHINES



SPINNER 450 s BN

Perfect for the wrapping;

- * Door frames and mouldings
- * Laminate flooring
- * Aluminum, steel and wood profiles and pipes
- * PVC profile products etc.

TECHNICAL FEATURES;

Product to Wrap Sizes

Max. Length	Unlimited
Min. Length (Width x Height x Length)	100 x 18 x 550*
*With Short Part Nail	

Conveyor Belt's Features ;

Useful Length	924 mm
Total Length	1000 mm
Working Height	850 mm
Electric Motor Power	0,37kW
Max. Speed	14m/min.
Max. Load Capacity	100 kgs/meter

Stretchfilm Features;

Max. Width	200 mm
Max. Diameter	250 mm
Reel Core Diameter	76 mm
Recommended Thickness	23, 30, 35 micron

Air Bubble Film Unit

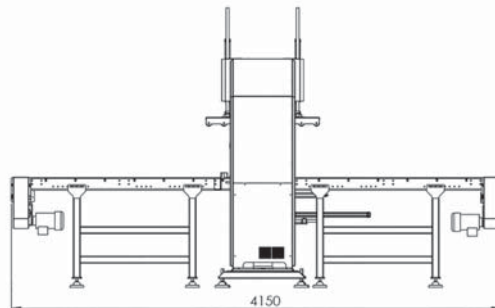
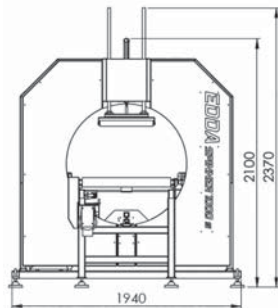
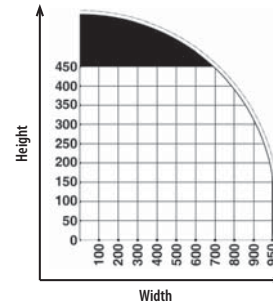
Max. Film Width	450 mm
Max. Film Reel Diameter	700 mm
Reel Core Diameter	20~76 mm
Suitable Film Materials	PE Film, PE Air Bubble Film, PVC Film
Cutting & Welding System Operating Temperature	50 °C ~ 150 °C

Machine General Features;

Main Motor Power	1,1 kW
Max. Ring Rotation Speed	120 rpm
Min. Ring Rotation Speed	10 rpm
Electronic Control Components	Siemens, Schneider, LS
Total Power	3,75 kW
Total Weight	880 Kgs

EDDA®

PACKING MACHINES



SPINNER 1000 S

Perfect for the wrapping;

- * Membrane, acrylic and lacquer painted covers
- * Bathrooms and kitchen cabinets
- * Doors
- * Door frames and mouldings
- * Laminate flooring
- * Aluminum, steel and wood profiles and pipes
- * PVC profile products etc.

TECHNICAL FEATURES;

Product to Wrap Sizes

Max. Length	Unlimited
Min. Length (Width x Height x Length)	100 x 18 x 500*
*With Short Part Nail	

Conveyor Belt's Features ;

Useful Length	1924 mm
Total Length	2000 mm
Working Height	900 mm
Electric Motor Power	0,75 kW
Max. Speed	12 m/min
Max. Load Capacity	100 kg/meter

Stretchfilm Features;

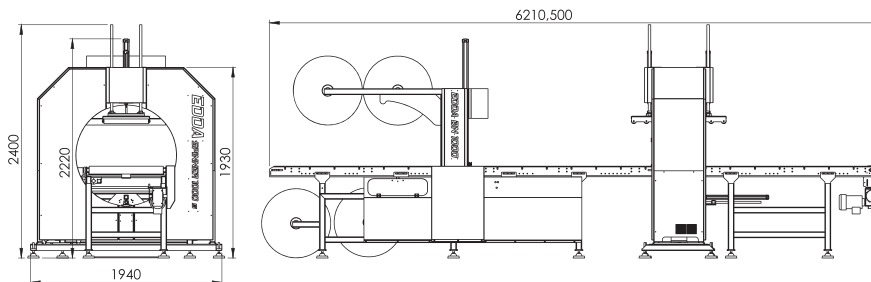
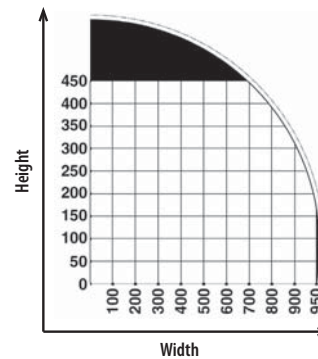
Max. Width	200 mm
Max. Diameter	250 mm
Reel Core Diameter	76 mm
Recommended Film Thickness	23, 30, 35 micron

Machine General Features;

Main Motor Power	1,5 kW
Max. Ring Rotation Speed	80 rpm
Min. Ring Rotation Speed	10 rpm
Electronic Control Components	Siemens, Schneider, LS
Total Weight	770 Kg

EDDA®

PACKING MACHINES



SPINNER 1000 s BN

Perfect for the wrapping;

- * Membrane, acrylic and lacquer painted covers
- * Bathrooms and kitchen cabinets
- * Doors
- * Door frames and mouldings
- * Laminate flooring
- * Aluminum, steel and wood profiles and pipes
- * PVC profile products etc.

TECHNICAL FEATURES;

Product to Wrap Sizes

Max. Length	Unlimited
Min. Length (Width x Height x Length)	100 x 18 x 550*
*With Short Part Nail	

Conveyor Belt's Features ;

Useful Length	1924 mm
Total Length	2000 mm
Working Height	900 mm
Electric Motor Power	0,75 kW
Max. Speed	12m/sec.
Max. Load Capacity	100 kgs/meter

Stretchfilm Features;

Max. Width	200 mm
Max. Diameter	250 mm
Reel Core Diameter	76 mm
Recommended Thickness	23, 30, 35 micron

Air Bubble Film Unit

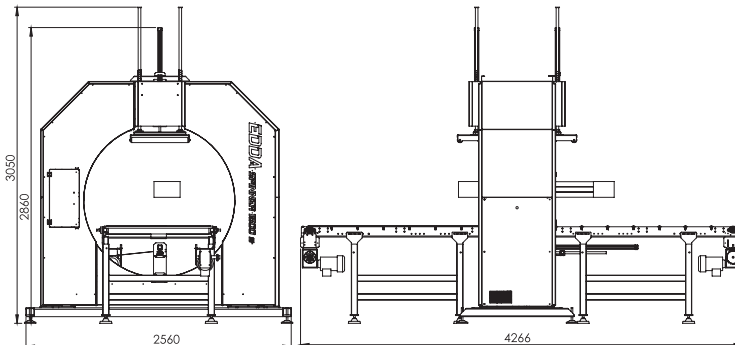
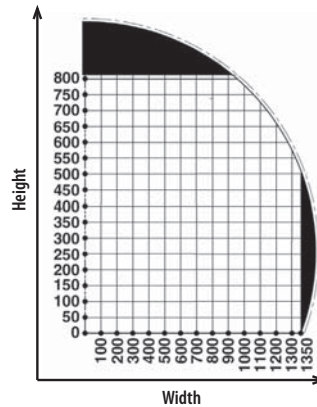
Max. Film Width	900 mm
Max. Film Reel Diameter	700 mm
Reel Core Diameter	20~76 mm
Suitable Film Materials	PE Film, PE Air Bubble Film, PVC Film
Cutting & Welding System Operating Temperature	50 °C ~ 150 °C

Machine General Features;

Main Motor Power	1,5 kW
Max. Ring Rotation Speed	80 rpm
Min. Ring Rotation Speed	10 rpm
Electronic Control Components	Siemens, Schneider, LS
Total Power	5,5 kW
Total Weight	1100 Kgs

EDDA®

PACKING MACHINES



SPINNER 1500 s

Perfect for the wrapping;

- * Bedroom Furniture
- * Bed Bases
- * Membrane, acrylic and lacquer painted covers
- * Bathrooms and kitchen cabinets
- * Doors
- * Door frames and mouldings
- * Laminate flooring
- * Sandwich panels
- * Wood Panels
- * Aluminum, steel and wood profiles and pipes
- * PVC profile products etc.

TECHNICAL FEATURES;

Product to Wrap Sizes

Max. Length	Unlimited
Min. Dimensions (Width x Height x Length)	100 x 18 x 550*
*With Short Part Nail	

Conveyor Belt's Features ;

Useful Length	1924 mm
Total Length	2000 mm
Working Height	900 mm
Electric Motor Power	0,75kW
Max. Speed	10 m/sec.
Max. Load Capacity	150 kgs/meter

Stretchfilm Features;

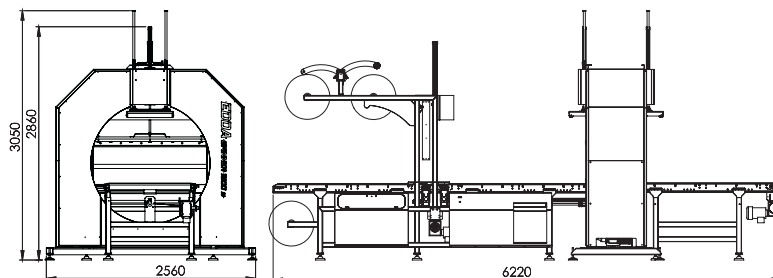
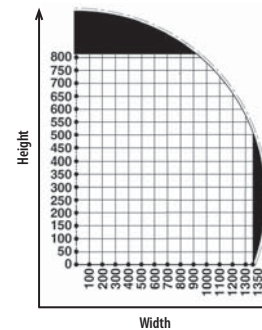
Max. Width	250 mm
Max. Diameter	250 mm
Reel Core Diameter	76 mm
Recommended Thickness	23, 30, 35 micron

Machine General Features;

Main Motor Power	2,2 kW
Max. Ring Rotation Speed	50 rpm
Min. Ring Rotation Speed	10 rpm
Electronic Control Components	Siemens, Schneider, LS
Total Weight	1200 Kgs

EDDA®

PACKING MACHINES



SPINNER 1500 s BN

Perfect for the wrapping;

- * Bedroom Furniture
- * Bed Bases
- * Membrane, acrylic and lacquer painted covers
- * Bathrooms and kitchen cabinets
- * Doors
- * Door frames and mouldings
- * Laminate flooring
- * Sandwich panels
- * Wood Panels
- * Aluminum, steel and wood profiles and pipes
- * PVC profile products etc.

TECHNICAL FEATURES;

Product to Wrap Sizes

Max. Length	Unlimited
Min. Length (Width x Height x Length)	100 x 18 x 550*
*With Short Part Nail	

Conveyor Belt's Features ;

Useful Length	1924 mm
Total Length	2000 mm
Working Height	900 mm
Electric Motor Power	0,75 kW
Max. Speed	10 m/min
Max. Load Capacity	150 kg/meter

Stretchfilm Features;

Max. Width	250 mm
Max. Diameter	250 mm
Reel Core Diameter	76 mm
Recommended Film Thickness	23, 30, 35 micron

Machine General Features;

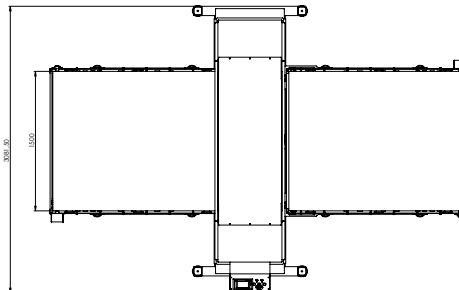
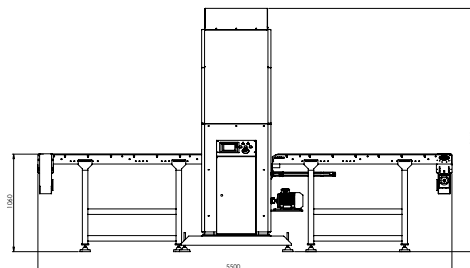
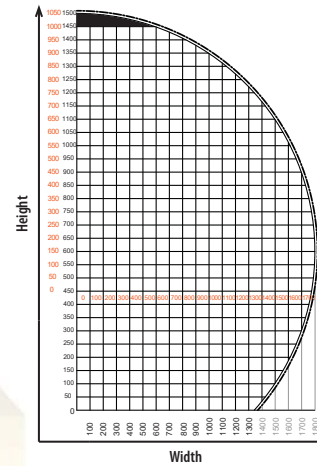
Main Motor Power	2,2 kW
Max. Ring Rotation Speed	50 rpm
Min. Ring Rotation Speed	10 rpm
Electronic Control Components	Siemens, Schneider, LS
Total Weight	1600 Kg

Air Bubble Film Unit

Max. Film Width	1350 mm
Max. Film Reel Diameter	700 mm
Reel Core Diameter	20~76 mm
Suitable Film Materials	PE Film, PE Air Bubble Film, PE Foam Film, PVC Film
Cutting System Operating Temperature	50 °C ~ 150 °C

EDDA®

PACKING MACHINES



SPINNER 1800 S

Perfect for the wrapping;

- * Sofas
- * Pallets
- * Doors

TECHNICAL FEATURES;

Product to Wrap Sizes

Max. Length	Unlimited
Min. Length (Width x Height x Length)	600mm x 450mm x 1200mm
*With Short Part Nail	

Conveyor Belt's Features ;

Useful Length	2400 mm
Total Length	2480 mm
Working Height	800 mm
Electric Motor Power	0,75 kW
Max. Speed	10 m/min.
Max. Load Capacity	1000 kg

Stretchfilm Features;

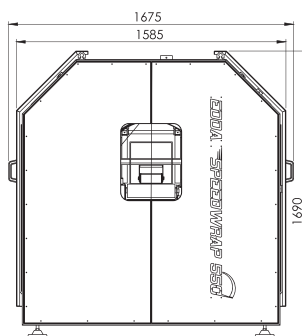
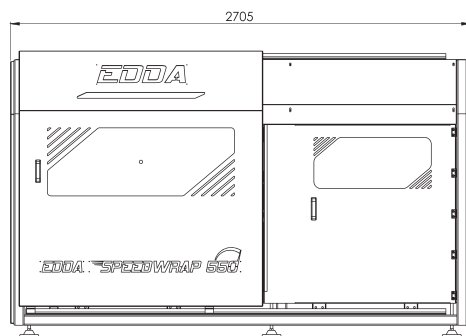
Max. Width	250 mm
Max. Diameter	250 mm
Reel Core Diameter	76 mm
Recommended Film Thickness	23, 30, 35 micron

Machine General Features;

Main Motor Power	3 kW
Max. Ring Rotation Speed	40 rpm
Min. Ring Rotation Speed	10 rpm
Electronic Control Components	Siemens, Schneider, LS
Total Weight	1600Kg

EDDA®

PACKING MACHINES



SPEEDWRAP 550

Perfect for the wrapping;

- * Aluminum, steel and wood profiles and pipes
- * PVC profile products etc.

TECHNICAL FEATURES;

Product to Wrap Sizes

Max. Length	Unlimited
Max. Width X Max. Height	250 mm X 250 mm
Min. Dimensions (Width x Height x Length)	70 x 18 x 600

Machine Dimensions;

Length	2705 mm
Width	1675 mm
Height	1690 mm

Conveyor Belt's Features;

Useful Length	924 mm
Total Length	1000 mm
Working Height	900 mm
Electric Motor Power	0,25 kW
Max. Speed	36 m/min
Max. Load Capacity	100 kg / meter

Stretch film Features;

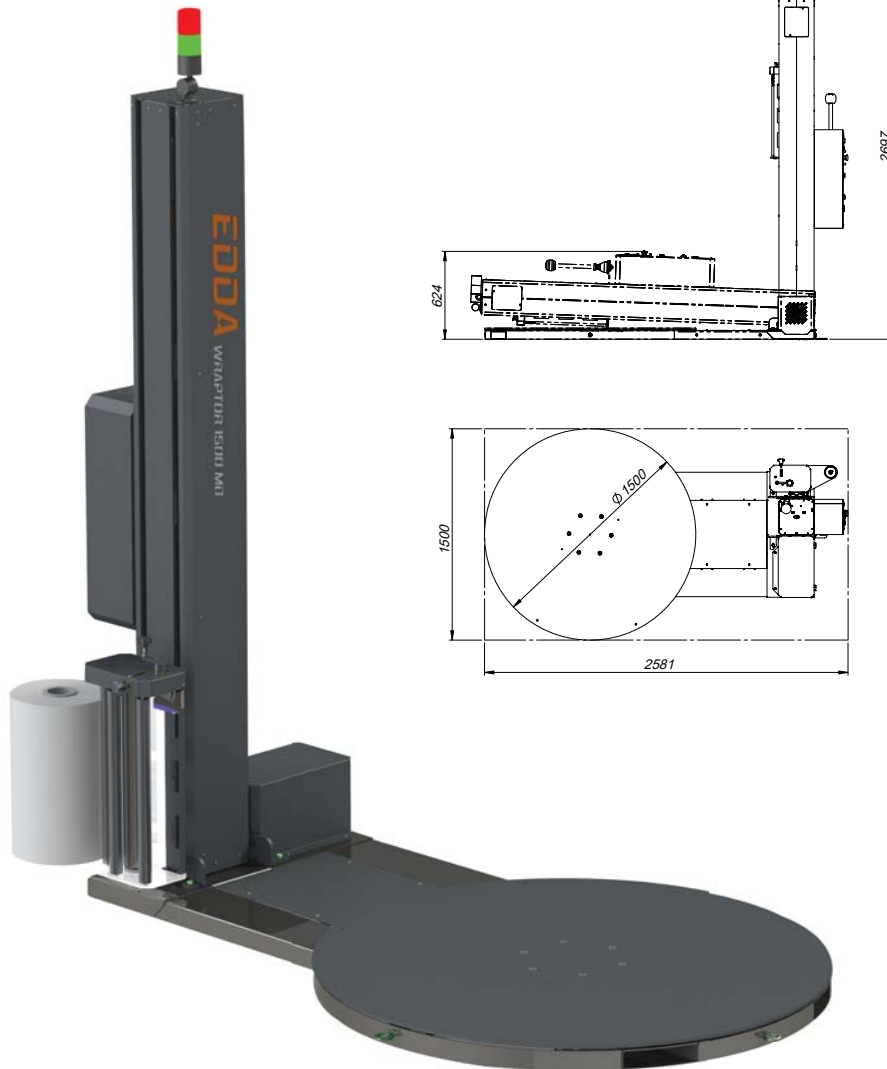
Max. Width 250	200 mm
Max. Diameter	200 mm
Reel Core Diameter	76 mm
Recommended Film Thickness	23, 30, 35 micron

Machine General Features;

Main Motor Power	1,1 kW
Max. Ring Rotation Speed	260 rpm
Min. Ring Rotation Speed	10 rpm
El Total Weight	560 kg
Electronic Control Components	Siemens, Schneider, LS

EDDA®

PACKING MACHINES



WRAPTOR 1500

Perfect for the wrapping;

* Pallets and boxes

TECHNICAL FEATURES;

Table diameter (mm)	1500
Table turning speed (RPM)	4-12
Forklift lifting place	Front - Back
Voltage (Volt)	220 / 230 v AC
Power supply (kW)	1,3
Stretch Tension	0 - 250
Heavy Listing	+
Speed Adjustment	+

Film Roll Adjustment

Film Width (mm)	200 - 510
Max. Roll Diameter (mm)	250
Roll inside diameter (mm)	76
Max. Weight (kg)	17

Packaging Product Dimensions

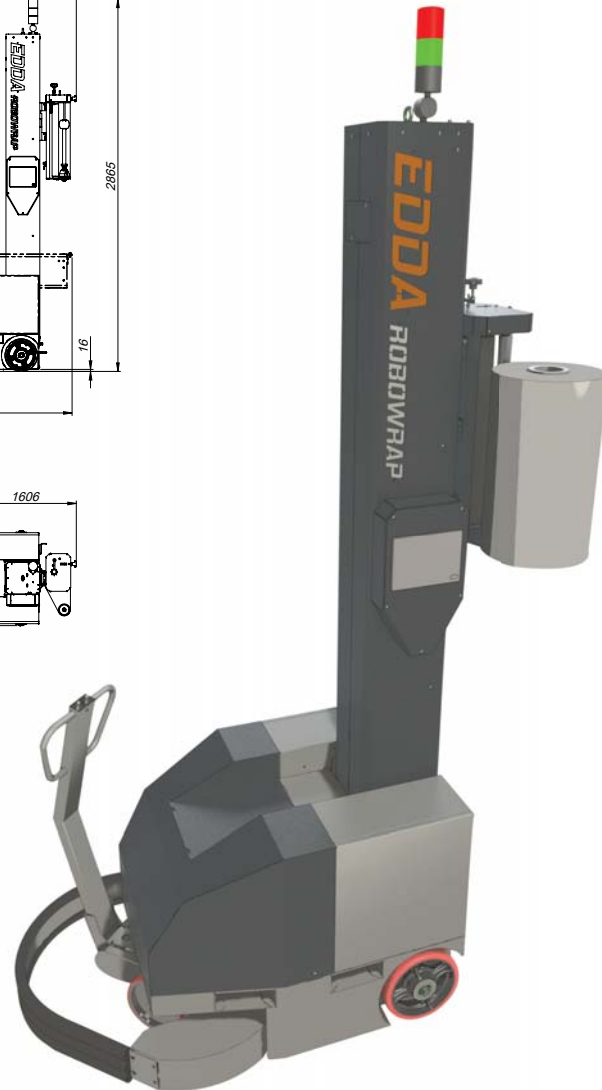
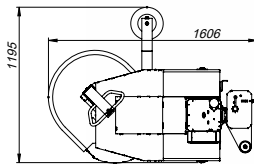
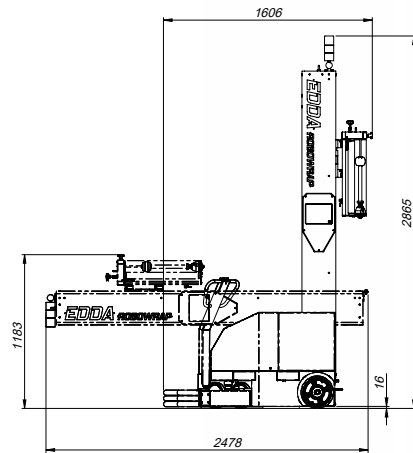
Maximum Dimensions (G x D) mm	1200 x 800
Height (mm)	2200
Loading Capacity (kg)	1200

Machine Dimensions

Height (G x D) mm	2170
Width (mm)	1510
Depth (mm)	2520

EDDA®

PACKING MACHINES



ROBOWRAP

Perfect for the wrapping;

- * Pallet
- * Big Boxes
- * Steel Door Pallets

Machine Dimensions L x W x H	1100 x 600 x 2200
Weight	490 kg
Battery Voltage	24 V DC
Power Supply	220 V AC
Film Carriage Speed	Adjustable
Max. Height	2200 mm
Min. Pallet Dimensions	700mm x 700mm x 500mm
Max. Pallet Width x Length	Unlimited
Film Thickness	23 - 40 Micron
Film Width	500 mm

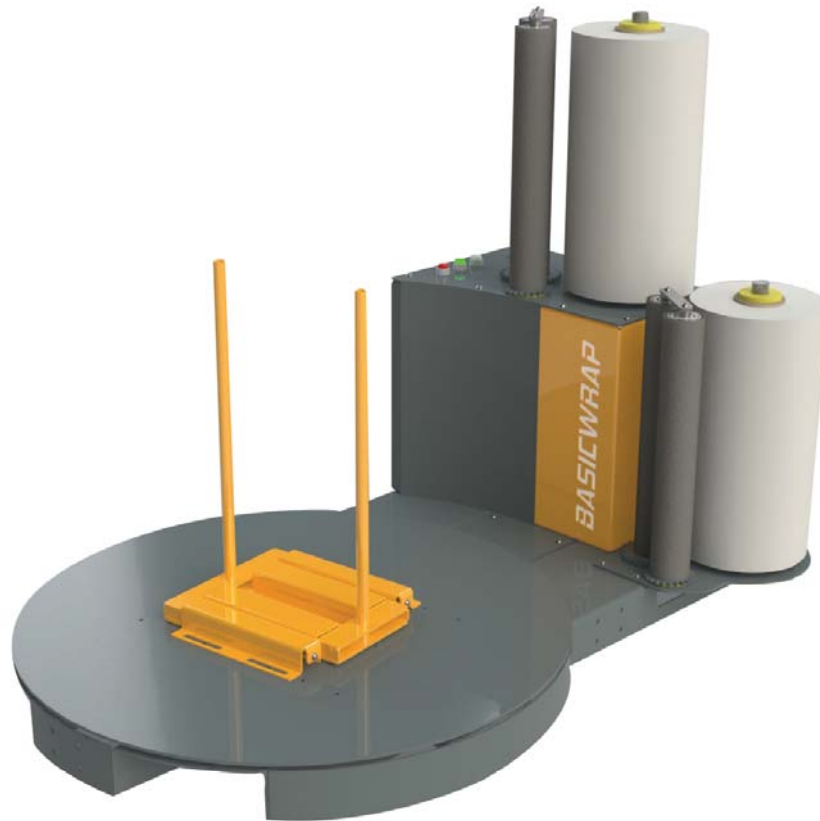
EDDA[®]

PACKING MACHINES

BASICWRAP

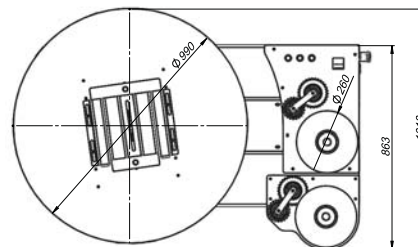
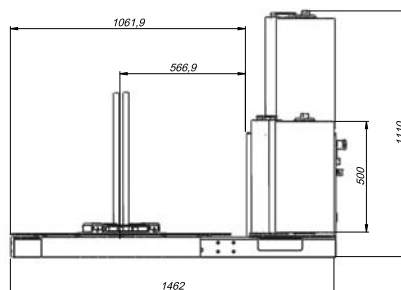
Perfect for the wrapping;

- *Chairs
- *Nightstand



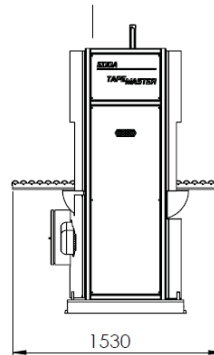
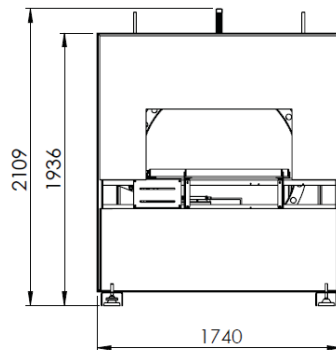
TECHNICAL FEATURES;

Motor Power	0,55 kW
Turn Speed	20 rpm / m
Weight	200 kg
Product Weight	100 kg
Max. Wrapping Dimensions (W x L x H)	700x700x950 mm
Min. Wrapping Dimensions (W x L x H)	400x400x0-500 mm



EDDA®

PACKING MACHINES



TAPEMASTER

Perfect for Tape Sealing;

*Boxes

TECHNICAL FEATURES;

Product to Tape Dimensions

Maximum Width X Height	1000 mm X 400 mm
Minimum Width X Height	120 mm X 50 mm
Maximum Length	Unlimited

Roller Table's Features(Infeed & Outfeed)

Length	700 mm
Working Height	850 mm
Loading Capacity	100 kg

Adhesive Tape Features

Tape Width	45 ~ 80 mm
Maximum Tape Roll Diameter	260 mm
Tape Roll Core Diameter	76 mm

Adhesive Tape Features

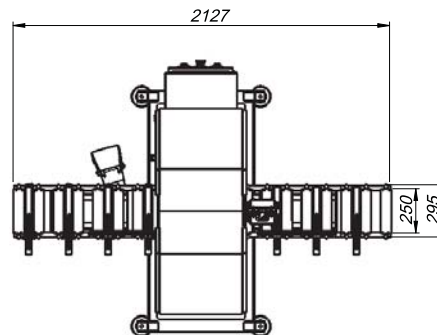
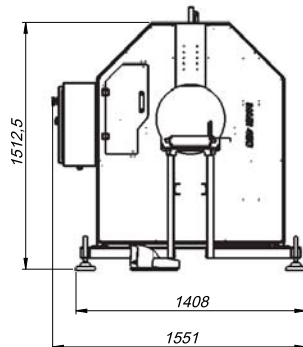
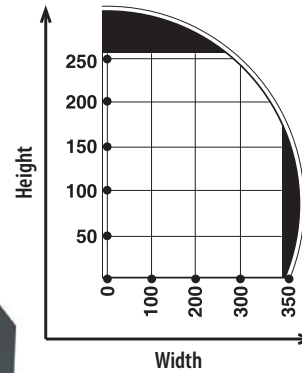
Tape Width	45 mm — 80 mm
Maximum Tape Diameter	260 mm
Tape Roll Core Diameter	76 mm

Machine General Features

Total Power	0,8 kW
Ring Rotation Speed	80 RPM
Average Cycle Time	5 Seconds
Electric Supply (Optional)	400 V AC 3Ph. / 230 V AC 1Ph
Frequency	50/60 Hz
Required Compressed Air	Min. 6 Bar
Air Consumption	7,66 Lt/Cycle @ 6 Bar
Total Weight	390 Kg

EDDA®

PACKING MACHINES



MAGI 450

Perfect for the wrapping;

- * Door frames and mouldings
- * Laminate flooring
- * Aluminum, steel and wood profiles and pipes
- * PVC profile products etc.

TECHNICAL FEATURES;

Product to Wrap Sizes

Max. Length	Unlimited
Other Dimensions	Check The Diagram
Min. Length (Width x Height x Length)	80 x 18 x 500*
*With Short Part Nail	
Machine Dimensions;	Check The Technical Drawing

Roller Features ;

Useful Length	924 mm
Total Length	1000 mm
Working Height	850 mm
Max. Load Capacity	100 kgs/meter

Stretchfilm Features;

Max. Width	200 mm
Max. Diameter	250 mm
Reel Core Diameter	76 mm
Recommended Thickness	23, 30, 35 micron

Machine General Features;

Main Motor Power	1,1 kW
Max. Ring Rotation Speed	120 rpm
Min. Ring Rotation Speed	10 rpm
Electronic Control Components	Siemens, Schneider, LS
Total Weight	330 Kg



C-WRAP
For SpeedWrap

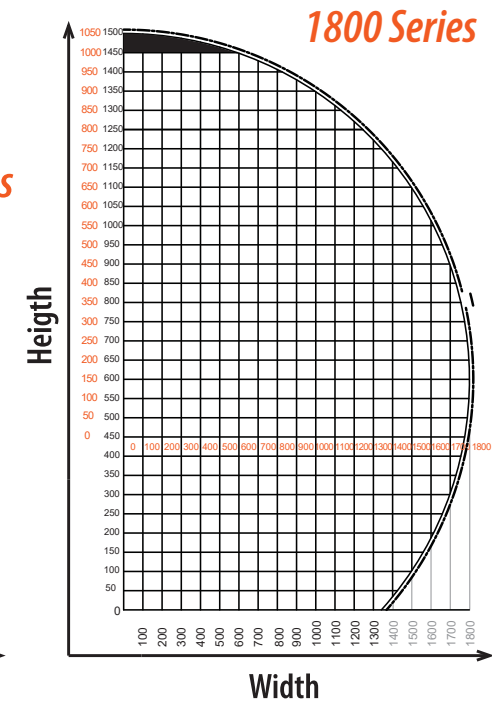
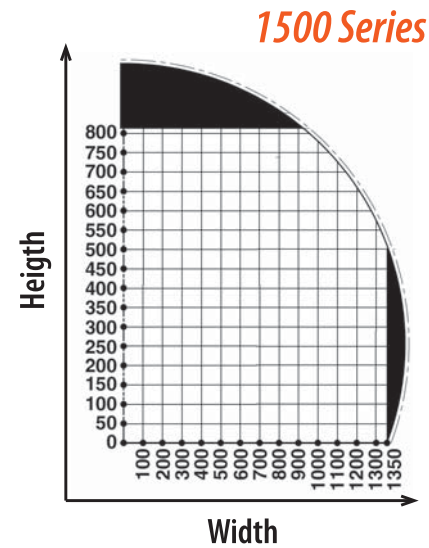
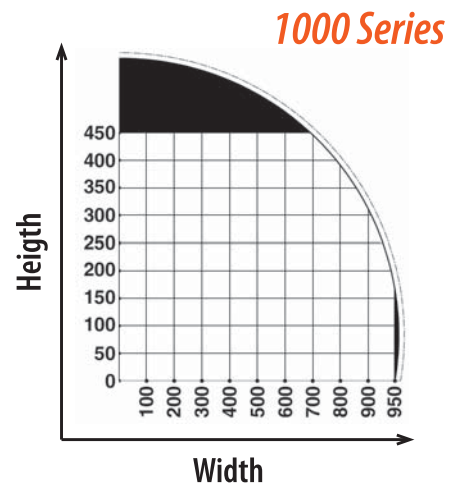
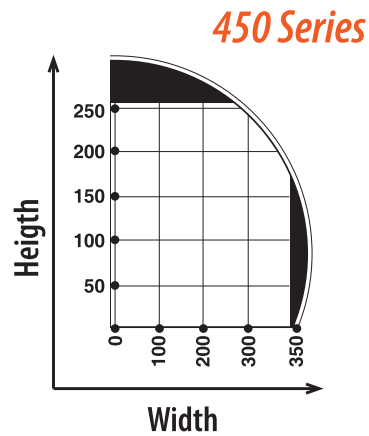


PNEUMATIC LIFTER CONVEYOR



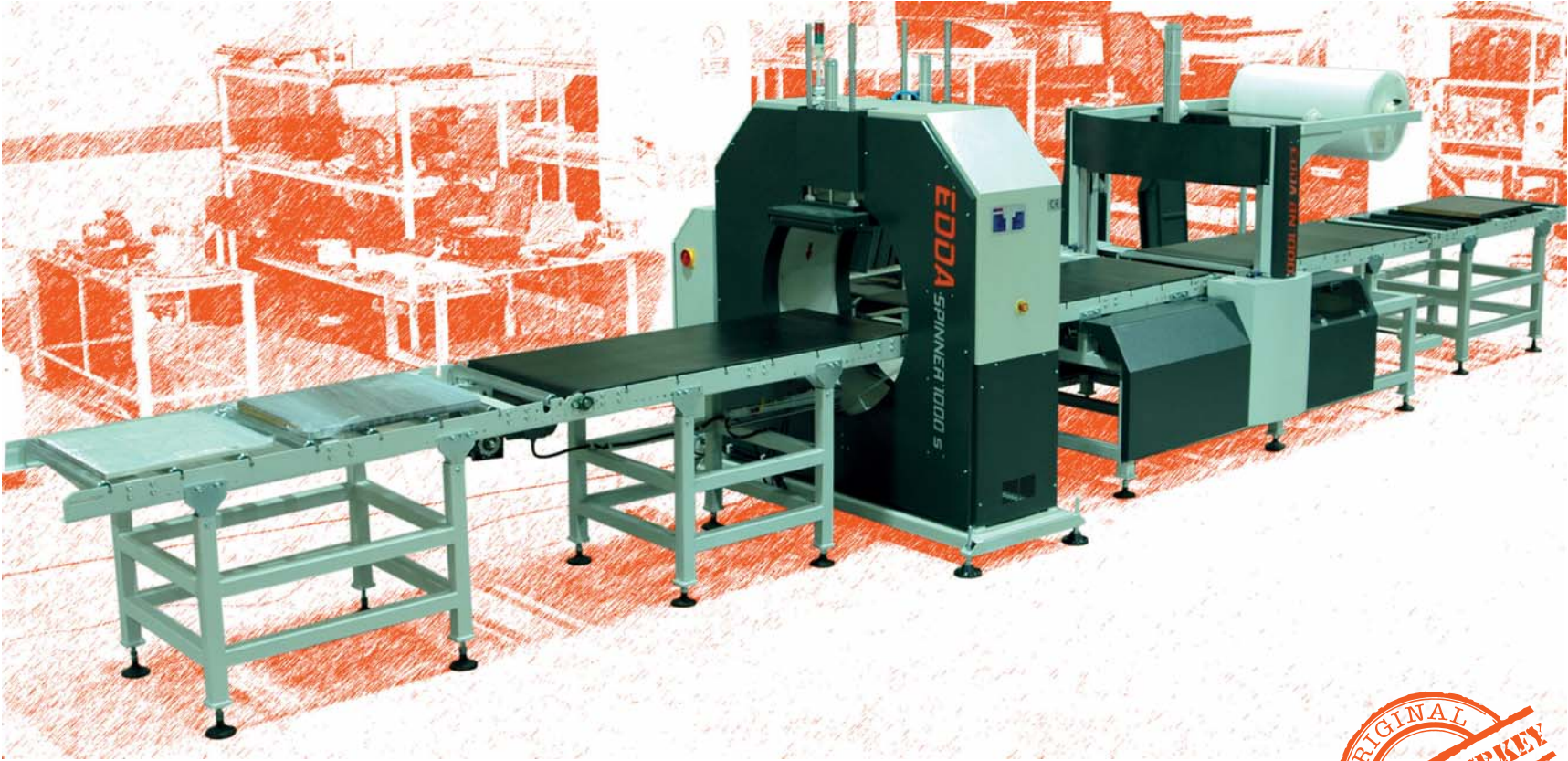
AUTOMATIC CENTERING PRESS

Graphics of product dimensions to wrap



EDDA[®]



PACKING MACHINES



EDDA®

PACKING MACHINES

 Görükle San. Bölgesi Dumlupınar Mh.
Kanuni Cd. No: 10 Nilüfer / BURSA

 +90 [224] 441 23 41
 +90 [224] 441 03 65

 info@eddamakine.com
 www.eddamakine.com

